

# Don't Gamble with your tooling!

## \$7 Retention Knob

Purchase any Standard Cat40,  
Cat50, BT30 or BT40 Tool  
Holder and receive one of our  
standard **Grind Finish**  
**Retention Knobs** for **\$7** to fit:



Bridgeport, Brother, Daewoo, Enshu, Fadal, Haas,  
Howa, Hurco, Johnsford, Kia, Kira, Kitimura,  
Kuraki, Leadwell, Makino, Matsura, Mazak,  
Mighty, Mitsubishi, Miyano, Mori Seiki, NTC, OKK,  
Okuma, Okuma-Howa, Parpas, Robo-Drill,  
Roku-Roku, Shizuoka, Takisawa, Toshiba,  
Toyoda, Hwacheon, Yasda, YCI **and many more!**

# **Call: 866.593.6611**

All retention knobs must be dimensionally checked to machine specifications prior to installing into any tool holder.  
32 Micro or better finish on the head of the knob standard (as shown), substitutions may be supplied at HPI Pioneer.



**HPI - PIONEER**

**HPI - Pioneer Machine Tool**

1299 Lunt Ave, Elk Grove Village, IL 60007 USA

P: 866.593.6611 F: 800.930.6436

E: sales@gohpi.com W: www.gohpi.com

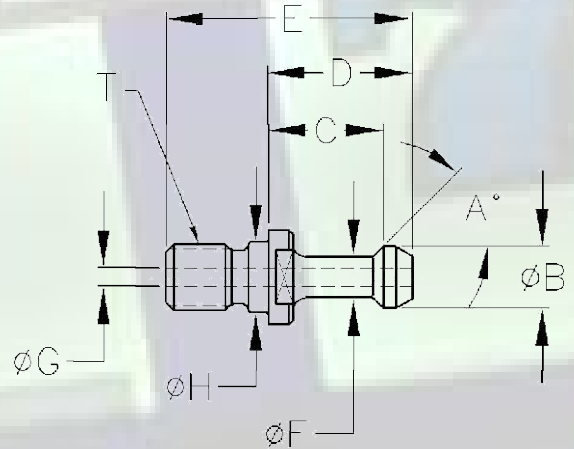
This promotion cannot be combined with any other promotion. Offer subject to change without notice. Prices are in US Dollar and does not include shipping, duty, freight or handling charges. Shipments are FOB Elk Grove Village, IL USA © 2008 Heartech Precision Inc.—All Rights Reserved—HPI is a division of The Pioneer Group

# HPI - PIONEER

## Retention Knob Specifications

**Note:**

- Other pull studs and special pull studs are available upon request, price may vary.
- Please specify dimensions, machine make and model when inquiring pull studs.
- It is critical that the correct retention knob is used with each machining center. Please verify all dimensions prior to ordering with Machine specifications located in your machine manual.



Part No.	A	B	C	D	E	F	G	H	T	Notes
<b>CAT40</b> HPS- 72	45	0.591	0.990	1.266	2.250	0.394	-	0.641	5/8-11	MAS P40T-1 type
HPS- 72C	45	0.591	0.990	1.266	2.250	0.394	0.120	0.641	5/8-11	MAS P40T-1 type, Coolant
HPS-806U-1	75	0.748	0.787	1.024	1.882	0.551	0.236	-	5/8-11	JIS B6339 type, Coolant
HPS-B64-1	45	0.740	0.440	0.640	1.624	0.490	0.157	0.641	5/8-11	Okuma type, Coolant w/ O'Ring
HPS-D72	45	0.740	0.440	0.640	1.500	0.490	0.283	-	5/8-11	ANSI / ASME B5. 50-1985
HPS-G53	45	0.740	0.440	0.640	1.624	0.490	0.276	0.641	5/8-11	Mazak type, Coolant
HPS-O14	90	0.591	0.984	1.260	2.244	0.394	-	-	5/8-11	Mori Seiki type
<b>CAT50</b> HPS- 54	45	0.906	1.386	1.780	3.354	0.669	0.236	1.031	1"-8	MAS P50T-1 type, Coolant
HPS- 63	60	0.906	1.378	1.772	3.248	0.669	-	1.024	1"-8	MAS P50T-2 type
HPS-B61	60	0.906	1.378	1.772	3.248	0.669	0.236	0.984	1"-8	Okuma type, Coolant w/ O'Ring
HPS-D92	45	1.140	0.700	1.000	2.300	0.820	0.461	-	1"-8	ANSI / ASME B5. 50-1985
HPS-G43	45	1.140	0.700	1.000	2.303	0.820	0.394	1.031	1"-8	Mazak type, Coolant
HPS-O19	90	0.906	1.386	1.780	3.346	0.669	-	-	1"-8	Mori-Seiki 90 degree angle type
<b>BT30</b> HPS-16	45	0.433	0.709	0.906	1.693	0.276	-	0.492	M12	MAS P30T-1 Type
HPS-17	60	0.433	0.709	0.906	1.693	0.276	-	0.492	M12	MAS P30T-2 Type
<b>BT40</b> HPS-1	45	0.591	1.102	1.378	2.362	0.394	-	0.669	M16	MAS P40T-1 Type
HPS-806 -1	75	0.748	0.906	1.142	2.126	0.551	0.236	0.669	M16	JIS B6339 - Coolant



**HPI - Pioneer Machine Tool**

1299 Lunt Ave, Elk Grove Village, IL 60007 USA  
 P: 866.593.6611 F: 800.930.6436  
 E: sales@gohpi.com W: www.gohpi.com

This promotion cannot be combined with any other promotion. Offer subject to change without notice. Prices are in US Dollar and does not include shipping, duty, freight or handling charges. Shipments are FOB Elk Grove Village, IL USA © 2008 Heartech Precision Inc.—All Rights Reserved—HPI is a division of The Pioneer Group