

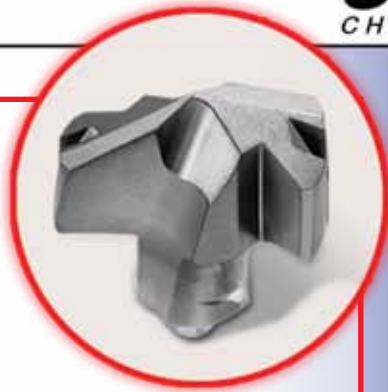
Offer SC1*

Purchase

4 SUMOCHAM heads
of the same type up to 1" diameter

Receive

1 corresponding drill body up to 1" diameter at a
50% Discount Off of List Price



Offer SC2*

Purchase

6 SUMOCHAM heads of the same type
up to 1" diameter

Receive

1 corresponding drill body up to 1" diameter FREE



Offer SC3*

Purchase 6 SUMOCHAM heads of the same type
up to 0.75" diameter and **SWAP** a compeltor's body

Receive 1 corresponding drill body
up to 0.75" diameter **FREE**

Bonus: Free Replacement Guarantee
one per order, valid only until December 31, 2010



Increasing Your
PROFITABILITY
Milling Intelligently



Valid from September 1 until December 31, 2010

Offer SC4*

Purchase

10 SUMOCHAM heads of the same type up to 1" diameter at a 20% Additional Discount

Receive

1 corresponding drill body up to 1" diameter FREE

Bonus: 15% Discount on your next order for any quantity of SUMOCHAM heads (one order only - same size as original order) - Use Promo Code SC6 when ordering Bonus

Offer SC5*

SWAP

Any competitor's indexable drill up to 1" diameter and buy only 2 SUMOCHAM Heads

Receive



1 corresponding drill body up to 1" diameter FREE

Bonus: 15% Discount on your next order for any quantity of SUMOCHAM heads (one order only - same size as original order) - Use Promo Code SC6 when ordering Bonus



- * Use Promo code when ordering
- Swapped tools must be new or in usable condition.
- All promotions are based on the price list in effect at the time the order is placed.
- All Bonus offers valid through December 31, 2010.

As part of Iscar's ongoing effort to improve its products, it reserves the right to make changes to any of the products appearing in this publication. Offers may be withdrawn drawn without prior notice. All orders must be drop ship orders, and no returns will be allowed. No blanket orders.

Increasing Your
PROFITABILITY

Milling Intelligently



Valid from September 1 until December 31, 2010

ISCAR METALS INC., 300 Westway Place, Arlington, TX 76018-1021
Tel+1 817 258 3200, Tech Tel 1-877-BY-ISCAR,
Fax+1 817 258 3221, info@iscarmetals.com