

Buy 5 inserts, get 25% off of the Drill Body!
Buy 10 inserts, get 50% off of the Drill Body!



Yes[®] YESTOOL Co., Ltd.

7 X D and 10 X D Bodies



New!
KRUZ-FSL

IDP



Insert selection
Deep hole & general purpose

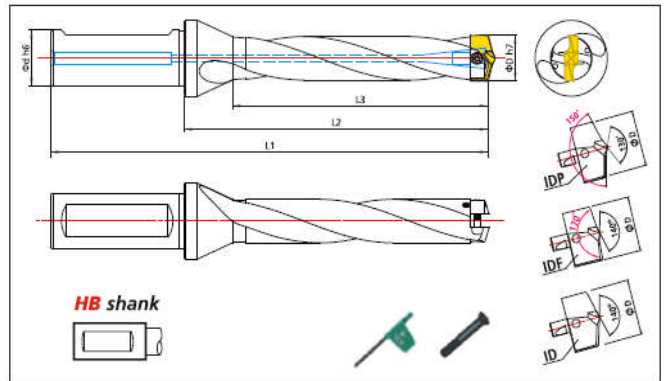
IDF



Thin plate & shallow depth



- ▶ Rugged flange type body to enable anti-vibration.
- ▶ Interchangeable <IDP>, <IDF>, <ID> carbide drill inserts
- ▶ Drill body consists of premium tool steel with heat treatment
- ▶ Increased drill body rigidity by less vibration



Drill Body Code	Drill Size Range	Shank Size d	H (7 x Dia)			List Price	L (10 x Dia)			List Price	Insert no	List Price
			L1	L2	L3		L1	L2	L3			
KRUZ 080 □ SL	.312-.331	0.394	4.606	2.835	2.362	\$ 236.09	5.512	3.740	3.465	\$ 306.92	IDP/F 080-084	\$ 21.68
KRUZ 085 □ SL	.335-.351	0.394	4.803	3.031	2.362	\$ 236.09	5.748	3.976	3.701	\$ 306.92	IDP/F 085-089	\$ 21.68
KRUZ 090 □ SL	.354-.371	0.394	4.961	3.189	2.677	\$ 236.09	5.984	4.213	3.898	\$ 306.92	IDP/F 090-094	\$ 25.26
KRUZ 095 □ SL	.374-.391	0.472	5.512	3.622	3.071	\$ 236.09	6.339	4.449	4.134	\$ 306.92	IDP/F 095-099	\$ 25.26
KRUZ 100 □ SL	.394-.410	0.472	5.512	3.622	3.071	\$ 236.09	6.535	4.646	4.331	\$ 306.92	IDP/F 100-104	\$ 31.74
KRUZ 105 □ SL	.413-.429	0.472	5.906	4.016	3.465	\$ 236.09	6.811	4.921	4.567	\$ 306.92	IDP/F 105-109	\$ 31.74
KRUZ 110 □ SL	.433-.449	0.472	5.906	4.016	3.465	\$ 236.09	7.008	5.118	4.764	\$ 306.92	IDP/F 110-114	\$ 36.05
KRUZ 115 □ SL	.453-.468	0.472	6.299	4.409	3.858	\$ 236.09	7.283	5.394	5.000	\$ 306.92	IDP/F 115-119	\$ 36.05
KRUZ 120 □ SL	.472-.488	0.630	6.299	4.409	3.858	\$ 291.37	7.480	5.591	5.197	\$ 378.77	IDP/F 120-124	\$ 43.49
KRUZ 125 □ SL	.492-.508	0.630	6.890	5.000	4.016	\$ 291.37	7.717	5.827	5.433	\$ 378.77	IDP/F 125-129	\$ 43.49
KRUZ 130 □ SL	.512-.528	0.630	6.890	5.000	4.016	\$ 291.37	7.953	6.063	5.630	\$ 378.77	IDP/F 130-134	\$ 43.49
KRUZ 135 □ SL	.532-.547	0.630	7.087	5.197	4.213	\$ 291.37	8.189	6.299	5.866	\$ 378.77	IDP/F 135-139	\$ 43.49
KRUZ 140 □ SL	.552-.567	0.630	7.087	5.197	4.213	\$ 305.25	8.425	6.535	6.063	\$ 396.82	IDP/F 140-144	\$ 48.37
KRUZ 145 □ SL	.572-.587	0.787	7.283	5.315	4.606	\$ 305.25	8.740	6.772	6.299	\$ 396.82	IDP/F 145-149	\$ 48.37
KRUZ 150 □ SL	.591-.606	0.787	7.283	5.315	4.606	\$ 305.25	8.937	6.969	6.496	\$ 396.82	IDP/F 150-154	\$ 48.37
KRUZ 155 □ SL	.610-.626	0.787	7.283	5.315	4.606	\$ 305.25	9.213	7.244	6.732	\$ 396.82	IDP/F 155-159	\$ 48.37
KRUZ 160 □ SL	.630-.646	0.787	7.480	5.512	4.843	\$ 362.66	9.409	7.441	6.929	\$ 471.46	IDP/F 160-164	\$ 55.60
KRUZ 165 □ SL	.650-.665	0.787	7.480	5.512	4.843	\$ 362.66	9.685	7.717	7.165	\$ 471.46	IDP/F 165-169	\$ 55.60
KRUZ 170 □ SL	.669-.685	0.787	7.874	5.906	5.039	\$ 362.66	9.882	7.913	7.362	\$ 471.46	IDP/F 170-174	\$ 55.60
KRUZ 175 □ SL	.689-.705	0.787	7.874	5.906	5.039	\$ 362.66	10.118	8.150	7.598	\$ 471.46	IDP/F 175-179	\$ 55.60
KRUZ 180 □ SL	.709-.724	0.787	8.268	6.299	5.433	\$ 362.66	10.354	8.386	7.795	\$ 471.46	IDP/F 180-184	\$ 55.60
KRUZ 185 □ SL	.728-.744	0.787	8.268	6.299	5.433	\$ 362.66	10.591	8.622	8.031	\$ 471.46	IDP/F 185-189	\$ 55.60
KRUZ 190 □ SL	.748-.764	0.787	8.268	6.299	5.433	\$ 362.66	10.827	8.858	8.228	\$ 471.46	IDP/F 190-194	\$ 55.60
KRUZ 195 □ SL	.768-.783	0.787	8.268	6.299	5.433	\$ 362.66	11.063	9.094	8.465	\$ 471.46	IDP/F 195-199	\$ 55.60
KRUZ 200 □ SL	.787-.803	0.984	9.055	6.850	6.024	\$ 439.34	11.496	9.291	8.661	\$ 571.14	IDP/F 200-204	\$ 55.60
KRUZ 205 □ SL	.807-.823	0.984	9.055	6.850	6.024	\$ 439.34	11.772	9.567	8.898	\$ 571.14	IDP/F 205-209	\$ 55.60
KRUZ 210 □ SL	.827-.842	0.984	9.055	6.850	6.024	\$ 439.34	11.969	9.764	9.094	\$ 571.14	IDP/F 210-214	\$ 55.60
KRUZ 215 □ SL	.846-.862	0.984	9.055	6.850	6.024	\$ 439.34	12.244	10.039	9.331	\$ 571.14	IDP/F 215-219	\$ 55.60
KRUZ 220 □ SL	.866-.882	0.984	9.449	7.244	6.614	\$ 439.34	12.441	10.236	9.528	\$ 571.14	IDP/F 220-224	\$ 68.91
KRUZ 225 □ SL	.886-.902	0.984	9.449	7.244	6.614	\$ 439.34	12.677	10.472	9.764	\$ 571.14	IDP/F 225-229	\$ 68.91
KRUZ 230 □ SL	.906-.922	0.984	9.449	7.244	6.614	\$ 439.34	12.913	10.709	9.961	\$ 571.14	IDP/F 230-234	\$ 68.91
KRUZ 235 □ SL	.925-.941	0.984	9.843	7.638	7.008	\$ 439.34	13.150	10.945	10.197	\$ 571.14	IDP/F 235-239	\$ 68.91
KRUZ 240 □ SL	.945-.961	1.260	10.630	8.268	7.205	\$ 543.57	13.543	11.181	10.394	\$ 706.65	IDP/F 240-244	\$ 81.60
KRUZ 245 □ SL	.965-.980	1.260	10.630	8.268	7.205	\$ 543.57	13.780	11.417	10.630	\$ 706.65	IDP/F 245-249	\$ 81.60
KRUZ 250 □ SL	.984-1.000	1.260	10.630	8.268	7.205	\$ 543.57	13.976	11.614	10.827	\$ 706.65	IDP/F 250-254	\$ 81.60