

Buy 5 inserts, get 25% off of the Drill Body!
Buy 10 inserts, get 50% off of the Drill Body!

- ▶ Rugged flange type body to enable anti-vibration.
- ▶ Interchangeable <IDP>, <IDF>, <ID> carbide drill inserts
- ▶ Drill body consists of premium tool steel with heat treatment
- ▶ Increased drill body rigidity by less vibration



Yes® YESTOOL Co., Ltd.

3 X D and 5 X D Bodies



Now!
KRUZ-FSL

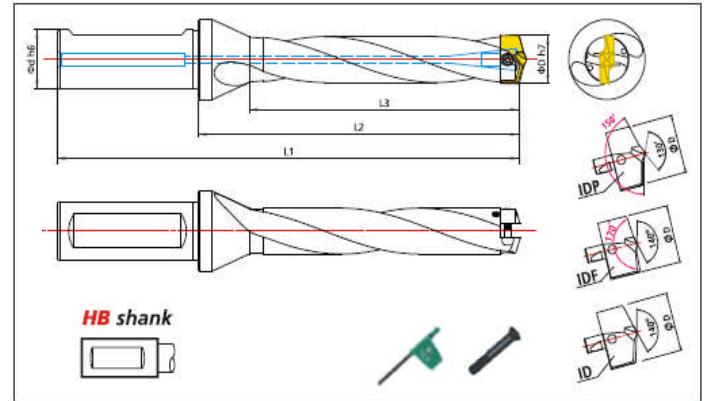
IDP

Insert selection

Deep hole & general purpose

IDF

Thin plate & shallow depth



Drill Body Code	Drill Size Range	Shank Size d	T (3 x Dia)			List Price	P (5 x Dia)			List Price	Insert no	List Price
			L1	L2	L3		L1	L2	L3			
KRUZ 080 □ SL	.312-.331	0.394	3.346	1.575	1.024	\$ 135.08	3.937	2.165	1.693	\$ 190.74	IDP/F 080-084	\$ 21.68
KRUZ 085 □ SL	.335-.351	0.394	3.346	1.575	1.024	\$ 135.08	3.937	2.165	1.811	\$ 190.74	IDP/F 085-089	\$ 21.68
KRUZ 090 □ SL	.354-.371	0.394	3.346	1.575	1.299	\$ 135.08	4.134	2.362	1.890	\$ 190.74	IDP/F 090-094	\$ 25.26
KRUZ 095 □ SL	.374-.391	0.472	3.740	1.850	1.299	\$ 135.08	4.528	2.638	2.283	\$ 190.74	IDP/F 095-099	\$ 25.26
KRUZ 100 □ SL	.394-.410	0.472	3.740	1.850	1.299	\$ 135.08	4.528	2.638	2.283	\$ 190.74	IDP/F 100-104	\$ 31.74
KRUZ 105 □ SL	.413-.429	0.472	3.937	2.047	1.693	\$ 135.08	4.921	3.031	2.677	\$ 190.74	IDP/F 105-109	\$ 31.74
KRUZ 110 □ SL	.433-.449	0.472	3.937	2.047	1.693	\$ 135.08	4.921	3.031	2.677	\$ 190.74	IDP/F 110-114	\$ 36.05
KRUZ 115 □ SL	.453-.468	0.472	4.134	2.244	1.890	\$ 135.08	5.118	3.228	2.874	\$ 190.74	IDP/F 115-119	\$ 36.05
KRUZ 120 □ SL	.472-.488	0.630	4.134	2.244	1.890	\$ 140.72	5.118	3.228	2.874	\$ 215.15	IDP/F 120-124	\$ 43.49
KRUZ 125 □ SL	.492-.508	0.630	4.331	2.441	1.890	\$ 140.72	5.512	3.622	3.031	\$ 215.15	IDP/F 125-129	\$ 43.49
KRUZ 130 □ SL	.512-.528	0.630	4.331	2.441	1.890	\$ 140.72	5.512	3.622	3.031	\$ 215.15	IDP/F 130-134	\$ 43.49
KRUZ 135 □ SL	.532-.547	0.630	4.528	2.638	2.047	\$ 140.72	5.709	3.819	3.228	\$ 215.15	IDP/F 135-139	\$ 43.49
KRUZ 140 □ SL	.552-.567	0.630	4.528	2.638	2.047	\$ 157.92	5.709	3.819	3.228	\$ 225.40	IDP/F 140-144	\$ 48.37
KRUZ 145 □ SL	.572-.587	0.787	4.921	2.953	2.165	\$ 157.92	5.827	3.858	3.346	\$ 225.40	IDP/F 145-149	\$ 48.37
KRUZ 150 □ SL	.591-.606	0.787	4.921	2.953	2.165	\$ 157.92	6.220	4.252	3.740	\$ 225.40	IDP/F 150-154	\$ 48.37
KRUZ 155 □ SL	.610-.626	0.787	4.921	2.953	2.165	\$ 157.92	6.220	4.252	3.740	\$ 225.40	IDP/F 155-159	\$ 48.37
KRUZ 160 □ SL	.630-.646	0.787	5.118	3.150	2.165	\$ 160.14	6.299	4.331	3.819	\$ 253.88	IDP/F 160-164	\$ 55.60
KRUZ 165 □ SL	.650-.665	0.787	5.118	3.150	2.165	\$ 160.14	6.299	4.331	3.819	\$ 253.88	IDP/F 165-169	\$ 55.60
KRUZ 170 □ SL	.669-.685	0.787	5.118	3.150	2.165	\$ 160.14	6.299	4.331	3.898	\$ 253.88	IDP/F 170-174	\$ 55.60
KRUZ 175 □ SL	.689-.705	0.787	5.118	3.150	2.165	\$ 160.14	6.299	4.331	3.898	\$ 253.88	IDP/F 175-179	\$ 55.60
KRUZ 180 □ SL	.709-.724	0.787	5.512	3.543	2.480	\$ 160.14	6.693	4.724	3.937	\$ 253.88	IDP/F 180-184	\$ 55.60
KRUZ 185 □ SL	.728-.744	0.787	5.512	3.543	2.480	\$ 160.14	6.693	4.724	3.937	\$ 253.88	IDP/F 185-189	\$ 55.60
KRUZ 190 □ SL	.748-.764	0.787	5.512	3.543	2.480	\$ 160.14	6.693	4.724	3.937	\$ 253.88	IDP/F 190-194	\$ 55.60
KRUZ 195 □ SL	.768-.783	0.787	5.512	3.543	2.480	\$ 160.14	6.693	4.724	3.937	\$ 253.88	IDP/F 195-199	\$ 55.60
KRUZ 200 □ SL	.787-.803	0.984	5.906	3.701	2.717	\$ 197.80	7.480	5.276	4.331	\$ 307.54	IDP/F 200-204	\$ 55.60
KRUZ 205 □ SL	.807-.823	0.984	5.906	3.701	2.717	\$ 197.80	7.480	5.276	4.331	\$ 307.54	IDP/F 205-209	\$ 55.60
KRUZ 210 □ SL	.827-.842	0.984	5.906	3.701	2.717	\$ 197.80	7.480	5.276	4.331	\$ 307.54	IDP/F 210-214	\$ 55.60
KRUZ 215 □ SL	.846-.862	0.984	5.906	3.701	2.717	\$ 197.80	7.480	5.276	4.331	\$ 307.54	IDP/F 215-219	\$ 55.60
KRUZ 220 □ SL	.866-.882	0.984	6.299	4.094	2.953	\$ 197.80	7.874	5.669	4.764	\$ 307.54	IDP/F 220-224	\$ 68.91
KRUZ 225 □ SL	.886-.902	0.984	6.299	4.094	2.953	\$ 197.80	7.874	5.669	4.764	\$ 307.54	IDP/F 225-229	\$ 68.91
KRUZ 230 □ SL	.906-.922	0.984	6.299	4.094	2.953	\$ 197.80	7.874	5.669	4.764	\$ 307.54	IDP/F 230-234	\$ 68.91
KRUZ 235 □ SL	.925-.941	0.984	6.299	4.094	2.953	\$ 197.80	7.874	5.669	4.764	\$ 307.54	IDP/F 235-239	\$ 68.91
KRUZ 240 □ SL	.945-.961	1.260	6.693	4.331	3.268	\$ 257.37	8.661	6.299	5.236	\$ 380.49	IDP/F 240-244	\$ 81.60
KRUZ 245 □ SL	.965-.980	1.260	6.693	4.331	3.268	\$ 257.37	8.661	6.299	5.236	\$ 380.49	IDP/F 245-249	\$ 81.60
KRUZ 250 □ SL	.984-1.000	1.260	6.693	4.331	3.268	\$ 257.37	8.661	6.299	5.236	\$ 380.49	IDP/F 250-254	\$ 81.60