

PIONEER

Premium Tool Holding & Work Holding

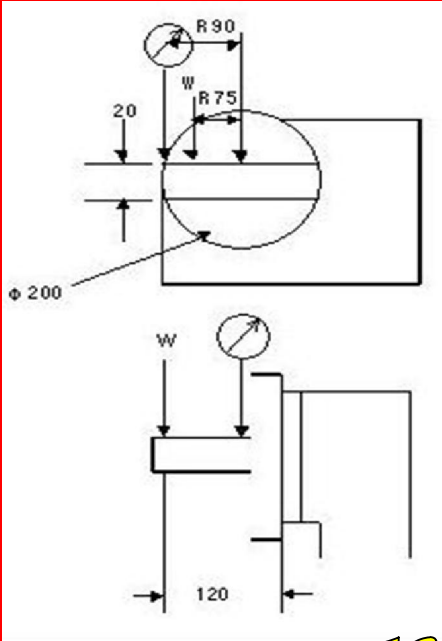
HPI - PIONEER

# Power and Price

## 1/2 the price of the competition with 1/3rd the Deflection, Sealed with Air Purge!

**Yukiwa has done the testing to measure deflection:**

Apply 200kgf (444lbf) at 200mm away and 75mm off the center and



measure table radial movement:

YNC170	22 micron
JNC170	34 micron
RN150	90 micron

**Don't give up Quality for Price, with PIONEER you can have both!**

Plug this unit into your RS232 port and off line program using Macro "B" function in your control or program on the controller in a simple effective system.

**Add 5C Collet Adapter for only \$600.00 more!**  
Why spend the money on a dedicated 5C system when you can have the flexibility of a real Indexer.

### HPI - PIONEER Yukiwa JNC-AC3 Indexer

- ⇒ 2 Year Warrantee
- ⇒ Positive Pressure with Auto-Air Purge System
- ⇒ High Clamping Torque
- ⇒ ±2 Arc Second Repeatability
- ⇒ 41.6 RPM (33.3 JNC170+)
- ⇒ Sanyo AC Servomotor Drive
- ⇒ RS232 Remote Programming
- ⇒ Command Increment: 0.001°
- ⇒ Built in Japan

#### Options:

- ⇒ T-Slot Face Plate
- ⇒ Manual and Pneumatic
  - ⇒ 5C Collet Chuck
  - ⇒ Tail Stocks

**Promo Ends  
3-31-2010**

Part Number	Competitors	HPI - Promo
JNC140R-AC3-10	\$14,500	\$ 8,699.00
JNC170R-AC3-10	\$17,900	\$ 8,999.00
JNC200R-AC3-30	\$22,100	\$ 10,699.00
JNC250R-AC3-30	\$23,100	\$ 12,599.00

**<Only \$300 More for a 6" Table!**

## Full 4th and 5th Axis options available!



**HPI-PIONEER** Premium Tool & Work Holding  
1299 Lunt Ave, Elk Grove Village, IL 60007 USA  
Customer Service : 866.593.6611 Fax: 800.930.6436  
Web: www.gohpi.com Email: sales@gohpi.com